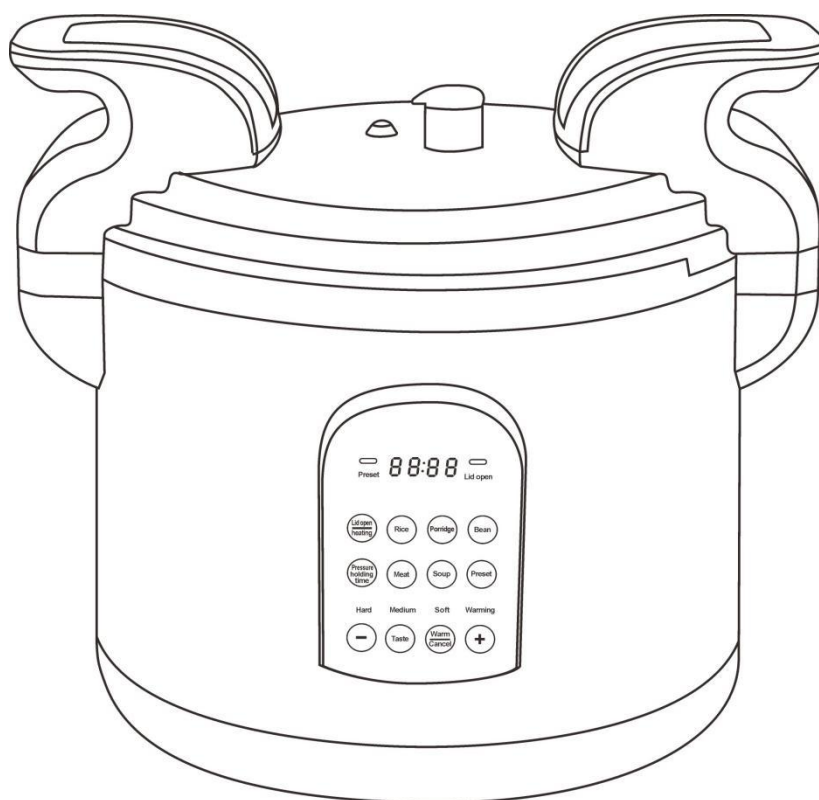


# Commercial Pressure Cooker Instruction Manual

Model No.:WEY-Y17



Thank you for choosing our product. We hope you will enjoy using the appliance.

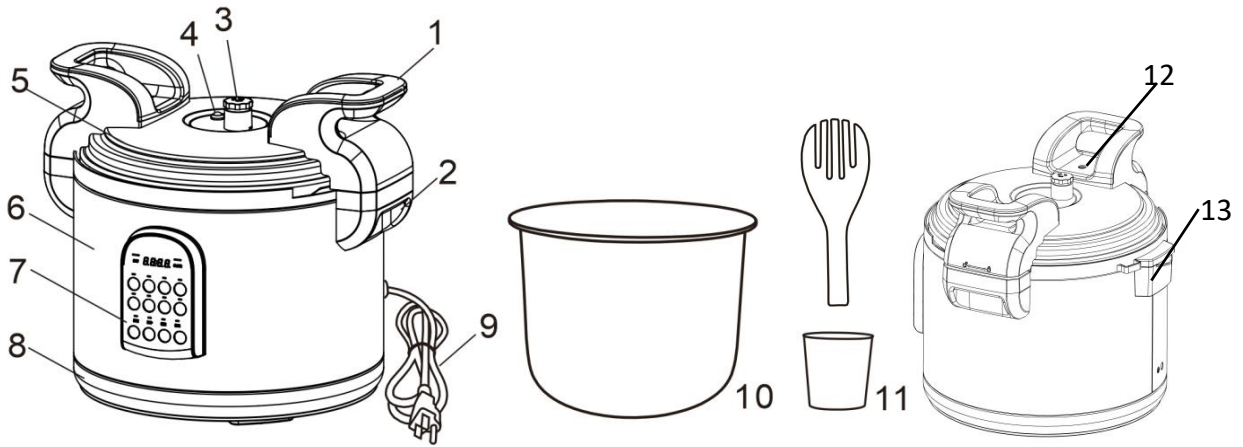
## PARAMETER

Model No	Voltage & frequency	Power	Protection class	Filling quantity
WEY-Y17	230V~50Hz	1900W	I	17L/18QT

## IMPORTANT SAFEGUARDS

- Read the operating instructions carefully before putting the appliance into operation and keep the instructions .
- Do not use it outdoors.Keep it away from sources of heat,direct sunlight,humidity(never immerse it into any liquid)and sharp edges.
- Power off the appliance when inner pot is not placed in the cooker,otherwise the electrical components may be damaged.
- When cleaning or putting it away,switch off the appliance and always pull out the plug from the socket(pull the plug itself not the lead)if the appliance is not being used and remove the attached accessories.
- Do not let cord touch hot surfaces or hang over the edge of a counter or table.
- Do not use the appliance for other than its intended use.
- Extreme caution must be used when moving the appliance containing hot water or other liquids.
- Use only with a 120V AC power outlet.
- Use only original spare parts provided.To reduce the risk of electrical shock,cook only in the removable container provided.
- During operation and afterwards,the temperature of the accessible surfaces may be hot.Always hold the appliance by the handle.
- Use the appliance only on a level ,dry and heat-resistant work surface.
- Do not move the device and do not touch it when it is working.
- Before inserting the plug into the socket,make sure that the mains voltage to be used matches that of the device.You can find this information on the nameplate.
- Connect the device to a duly installed protective contact socket.
- This appliance should be operated on a separate electrical circuit from other operating appliances.If the electrical circuit is overloaded with other appliances,the appliance may not operate properly.
- Close supervision is necessary when the appliance is used by or near children.
- Keep the appliance and its cord out of reach of children less than 8 years.
- Children shall not play with the appliance.
- Unplug from outlet when not in use and before cleaning.Allow unit to cool before putting on or taking off parts and before cleaning the appliance.
- Extreme caution must be taken when moving the appliance containing hot water or other liquids,foods.
- Do not try to repair the appliance on your own.Always contact an authorized technician.To avoid the exposure to danger,always have a faulty cable be replaced only by the manufacturer,our customer service or by a qualified person and with a cable of the same type.
- Only use the appliance in a dry,indoor area.

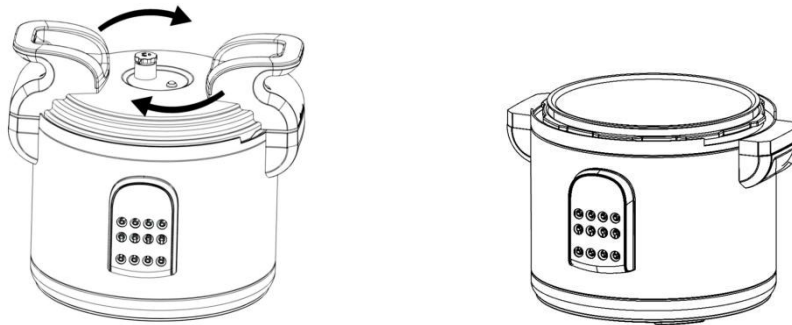
## PARTS IDENTIFICATION



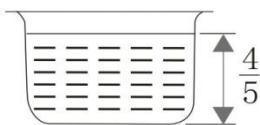
1.Lid handle grip	2. Cooker carrying handle	3.Pressure limiting valve	4. Safety valve
5. Lid	6.Cooker body	7.Control panel	8.Cooker base
9.Power cord and plug	10.Inner pot	11.Measuring cup&Paddle	12.Float valve
13.Condensation cup			

## HOW TO USE

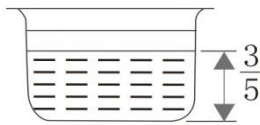
1. Before initial use,remove the packaging and check the scope of delivery.We recommend cleaning the appliance as described under"cleaning".
2. Double hand grip the lid handle to twist clock-wise,and lift the lid to open.



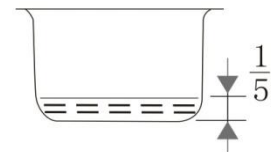
3. Put the inner pot out from the cooker,then put the well prepared ingredients into the cooker. Before cooking,double check the actual capacity of food and water are not high than MAX as intruction as below:



MAX capacity of  
food & water

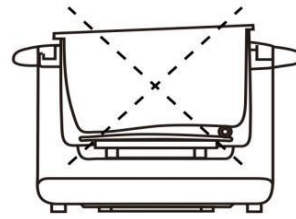
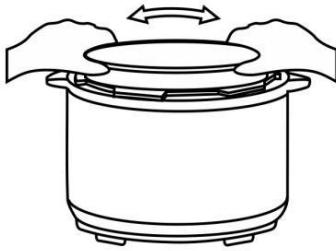


MAX capacity for  
expansive food



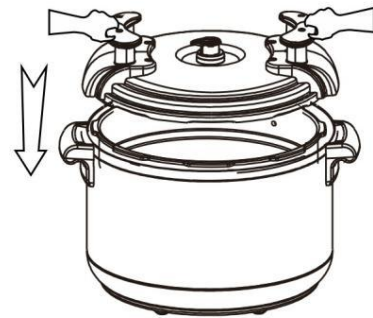
MIN capacity of  
food & water

4. Wipe well the inside of cooker body and outside of inner pot before putting the inner pot inside the cooker, then rotate the inner pot to make sure it is placed correctly with the heating plate.



5. Close the lid

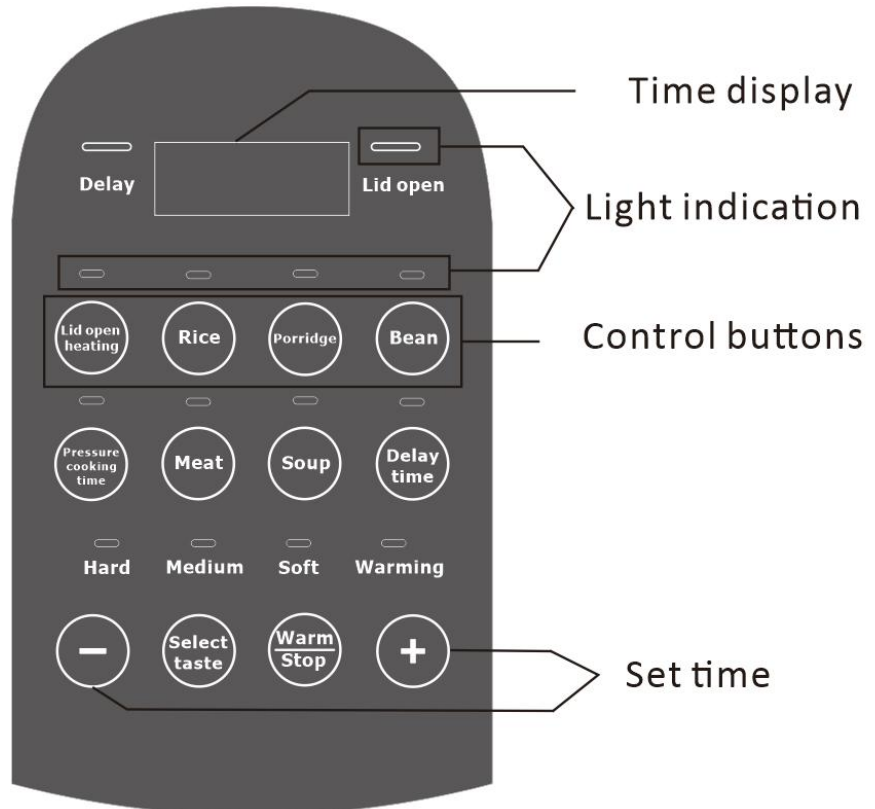
Check and make sure the anti-clog shield and sealing ring are well placed in the lid. Double hands grip the lid handle, turn the lid anti-clockwise on the cooker so the arrow aligns in the lock position icon. The lid is locked well when a clip sound is heard.



6. Check and make sure the pressure limiting valve is in a naturally downward position, which means the cooker is in room temperature and safe pressure condition.

7. Connect the plug to the power supply in place. Power supply must have reliable grounding to avoid electric shock in case of electrical leakage.

8. Operate the control panel



Smart programs	Pressure cooking <ul style="list-style-type: none"> <li>● Rice</li> <li>● Porridge</li> <li>● Bean</li> <li>● Meat</li> <li>● Soup</li> </ul>	Non-pressure cooking <ul style="list-style-type: none"> <li>● Lid open heating</li> </ul>
Light indicator:	Indicates command of control buttons or controlling condition.	
LED Time display	Shows the time in HH:MM format.Counts up or down,depending on the Smart Programs.	
Light indicator:Hard,Medium,Soft	Indicates the selected taste level.	
Select taste button	Toggle between “Hard””Medium””Soft”	
-/+ buttons	Adjust the time for cooking,Delay time	
Delay time button	Delay the start of cooking.	
Warm/Stop button	“Warm” to keep warm or “Stop” to stop a program at any time.	

*-Select the menu and taste*

When the product is plugged in,there will be a “beep” sound,the LED screen displays “0000” demonstration a standby condition.

Multiple pressure cooking menus are set in the program:Rice,Porridge,Bean,Meat,Soup.

Press the desired menu,and press “Select taste” to adjust taste to be “Hard/Medium/Soft”.

Wait 5 seconds,the cooker starts cooking automatically.

Press”Stop” button whenever you need to stop any cooking process.

The defaulted pressure cooking time for each menu and taste selection is as below table:

Taste Selection Menu	Hard	Medium (defaulted)	Soft	Adjustable time range	Delay time range
Rice	10 mins	15mins	18mins	1-99mins	30mins-24hours
Porridge	3mins	8mins	18mins	1-99mins	30mins-24hours
Bean/Trotter	25mins	40mins	60mins	1-99mins	30mins-24hours
Meat/Poultry	10mins	15mins	30mins	1-99mins	30mins-24hours
Soup	20mins	25mins	30mins	1-99mins	30mins-24hours

### *-Manually set pressure cooking time*

If you want to cook any food according to personal desire, you can manually set the pressure cooking time. Press button "Pressure cooking time", the light flashes, then press "+" or "-" button to increase or decrease the time. After 5-time flashes, the cooker starts increasing the pressure and cooking.

Manually setting pressure holding time ranges from 1~99 minutes.

Pressure cooking time mentioned in this instruction starts from the moment pressure control switch cuts off after pressure increases to target amount. Then the time counts down to zero, cooker switches to keep warm condition, "Warming" light illuminates.

### *-Lid open heating*

If you want to cook food for non-pressurized cooking, open the lid and press button "Lid open heating", the cooker starts heating.

### *-Delay time*

"Delay time" function is able to delay cooking. Time can be preset from 30 minutes to 24 hours.

After selecting the menu and taste, press button "Delay time", increase or decrease the timer by pressing "+" or "-". After 5 time flashes, the timer starts to count down. After counting down to zero, the cooker starts cooking.

### *-"Lid open" light indication*

When the program is set well, the cooker is going to start cooking. If the light "Lid open" illuminates, that means the lid is not closed correctly. Close the lid in correct position and lock it well, the cooker starts cooking now as it should.

9. When cooking is finished, the cooker switches to keep warm condition automatically. Wait the cooker to release the pressure and steam. The lid can be opened safely until the floating valve drops downward, now the lid is ready to open.

Pull the plug off. Double hands grip the lid handle to twist anti-clock wise and lift to open.

**Warning: Always disconnect the power plug from the socket whenever the inner pot is empty.**

## MAINTENANCE TIPS

- Do not use this appliance to heat vinegar or cook other acid /alkaline food,otherwise the inner pot may be damaged.
- Use plastic or wood spoon to serve food .Use soft cloth or sponge to clean the inner pot,otherwise the inner pot coating may be damaged.
- Avoid colliding the inner pot to protect it from dent.
- Do not heat the inner pot over any other heat source,otherwise the pot may be deformed,the pot coating may be damaged.

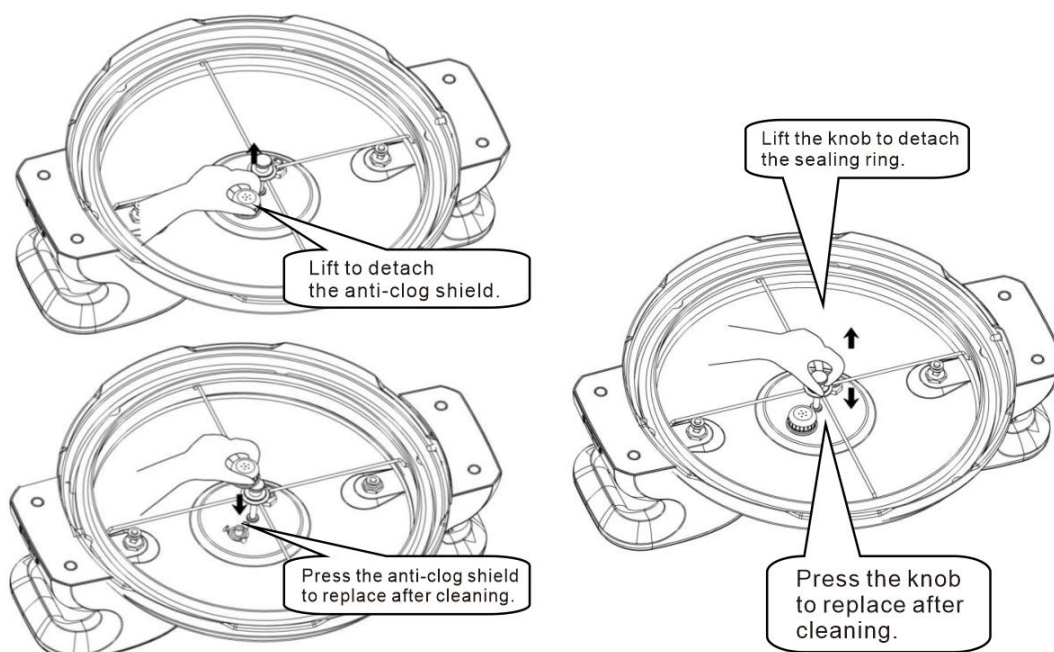
## CAUTIONS WHEN USING

- If cooking liquid food(porridge,soup etc), pressure and steam cannot be released until the product cools down and make the float valve drops naturally downward position,otherwise the steam may blow out to cause possible hurt. Wet cloth is advised to cover the lid to cool down faster.
- If cooking porridge or soup,after cooking process is completed,it is advised to select “lid-open heating” to heat further 3-5 mins to make the food more smooth and delicious.
- When serving food,be cautious of the inner pot because it gets very hot after cooking.
- Double hands to grip the carrying handles to move the whole product.Never use the lid handles to move the whole product because it is dangerous. Lid handles are only used to open or close the lid.

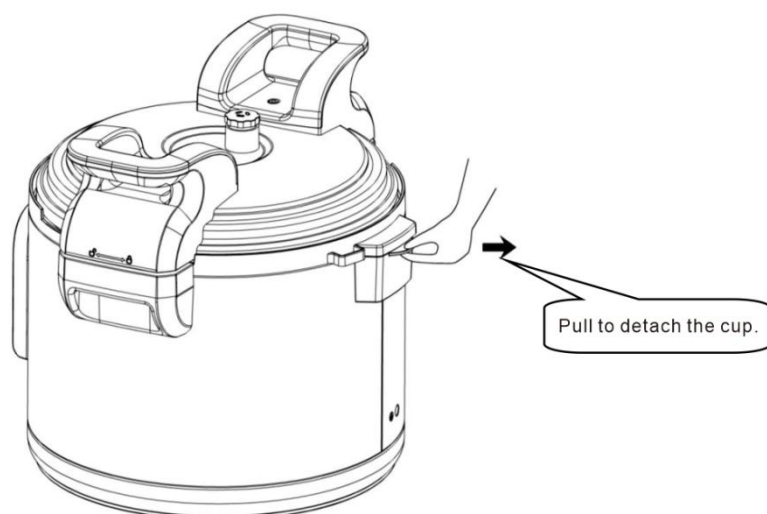
## HOW TO CLEAN

**Be sure to clean the cooker and its parts after every use.**

1. Always pull out the plug from the mains socket before cleaning and wait until the unit has cooled down.
2. Take out the inner pot,clean it by detergent and rinse it well. Wipe it well with soft cloth.Do not use any wire brushes or other abrasive objects ,otherwise the pot coating will be damaged.
3. If there is food residue left on the heating plate and interior of cooker,remove them away and wipe it well with soft clean cloth,otherwise there may be smoke or odor when the cooker is heating.
4. Detach the anti-clog sheild,sealing ring from the lid.Clean ,wipe and replace them well.



5. Detach the condensation cup from the back of cooker. Clean ,wipe and replace them well.



### CAUTIONS WHEN CLEANING

- Never immerse the housing cooker, the line cord and the mains plug into water, as otherwise this might result in an electric shock or fire.
- Do not use any acidic or scouring agents.
- Do not clean the accessories in the dishwasher. The surfaces could become dull.

## TOUBLESHOOTING

Problem	Reason	Solution
It is difficult to close the lid.	The sealing ring is out of place.	Place the sealing ring properly.
	The float valve is stuck in the pushrod.	Push the rod in place.
It is difficult to open the lid.	After releasing, the float valve has not gone down.	Press the float valve down
Steam is leaking from the lid.	Sealing ring is not fitted.	Re-install sealing ring.
	Food residue on sealing ring	Clean the sealing ring.
	The sealing ring is damaged.	Replace a sealing ring.
	The lid is not secured properly.	Make sure lid is secured.
Steam is leaking from the float valve.	There is food residue on the sealing ring.	Clean the sealing ring.
	Sealing ring or floating valve is damaged.	Replace the sealing ring or flat valve.
The float valve doesn't rise.	The float valve is not aligned with the position of the sealing ring.	Set the float valve to the correct position.
	Too little food or liquid in the pot.	Put enough liquid or food inside the pot.
	Steam is leaking from the lid or the float valve.	Refer to notes about lid or float valve leaking.
Heating malfunctions	Inner pot deformed.	Replace a new inner pot.
	Bad connection between inner pot and heating plate	Check and clean if any residues at outside bottom of inner pot or surface on heating plate. Rotate the inner pot again or contact customer services if problem persists.
Rice gets burned or half cooked	Water is not enough	Put more proper water amount.
	Heating plate has deformed	Contact customer services to replace heating plate.
E1	Thermal sensor disconnected.	Contact customer services.
E2	Thermal sensor has short circulated.	Contact customer services.
E3	The temperature is too high.	Add more water to the food.
E4	The pressure switch malfunctions.	Contact customer services.
OPEN	Lid is open or is not closed correctly.	Close the lid correctly.